

## Component List

1	x	Right Side Panel			(A)
1	x	Left Side Panel			(B)
4	x	Door Panels			(C)
2	x	Outer Lids	850mm Wide		(D)
2	x	Inner Lids	770mm Wide		(E)
3	x	Centre Top Support	2" x 2"	850mm	(F)
3	x	Centre Vertical Framing	2" x 2"	1150mm	(G)
3	x	Centre Floor Support	2" x 2"	800mm	(H)
4	x	Horizontal Floor Support - Front Frame	2" x 1"	755mm	(I)
1	x	Horizontal Top Support	2" x 1"	3255mm	(J)
8	x	Horizontal Rear Frame Support - Top / Bottom	2" x 2"	755mm	(K)
5	x	Vertical Rear Frame Posts	2" x 2"	1300mm Predrilled	(L)
2	x	Rear Frame Bracing	2" x 2"	1370mm Angle Cut	(M)
4	x	Lid Prop - V Cut			(N)
4	x	Lid Handles			(O)
4	x	Handle Back Plates			(P)
8	x	75mm Door Hinges			(Q)
2	x	Door Cabin Hook			(R)
		75mm Green Screws			(FIX 1)
4	x	Carriage Bolts (M8 x 100mm)			(FIX 2)
2	x	Carriage Bolts (M8 x 130mm)			(FIX 3)
3	x	Carriage Bolts (M8 x 200mm)			(FIX 4)



We recommend two people to assemble this product.

All images are for illustration only. Please see individual item listings for actual item specifications.

## Step 1

### Rear Frame Assembly

The first stage of construction involves assembling the main rear frame. This structure provides the primary stability for your bin store.

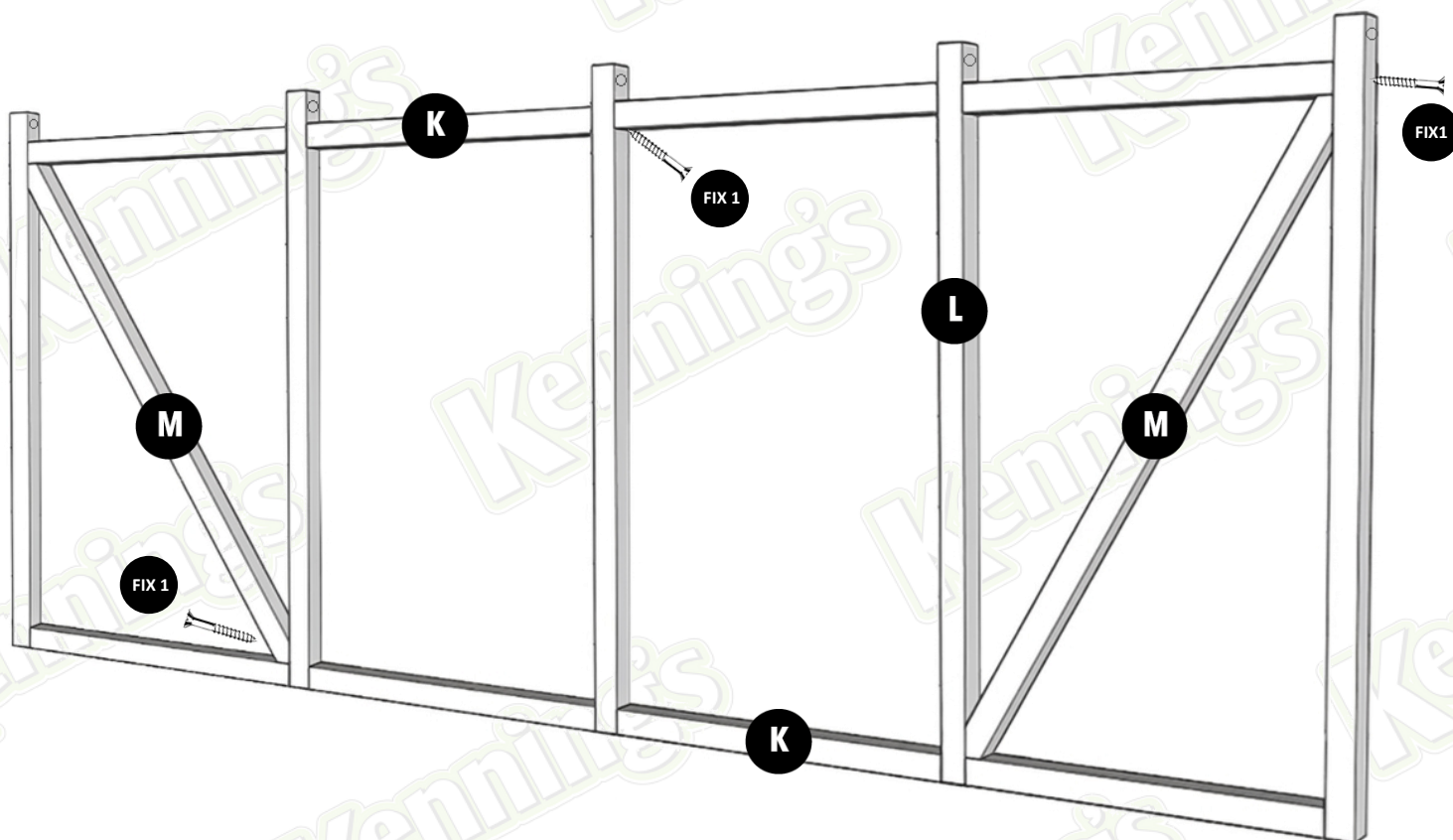
#### Components Required:

Horizontal Rear Frame Supports – Top/Bottom (**K**), Vertical Rear Frame Posts (**L**), Rear Frame Bracing (**M**).

#### Assembly Steps:

Lay out the components as shown in the diagram below, ensuring all Vertical Posts (**L**) are positioned so that the pre-drilled holes at the top face the same direction, these holes are the mounting points for the lids. If they are not all aligned facing side to side, the lids cannot be attached in later steps.

Secure all points of contact using 1 x 75mm Green Screws (**FIX 1**) as indicated by the examples in the diagram, driving through one timber into the other until tight.



## Step 2

### Attaching the Side Panels

With the rear frame completed, you will now attach the pre-assembled side panels to create a freestanding structure. This will provide the necessary stability for installing the remaining internal framework.

#### Components Required:

Right Side Panel **(A)** (Pre-assembled), Left Side Panel **(B)** (Pre-assembled), 6 x 75mm Green Screws **(FIX 1)** (3 per side)

#### Assembly Steps:

Stand the Rear Frame upright. Align the Left Side Panel **(B)** and Right Side Panel **(A)** perpendicularly to the Vertical Rear Frame Posts **(L)** and fix the panels in place by driving 3 x 75mm Green Screws **(FIX 1)** through the 2" x 1" timber on the side panels and directly into the Vertical Posts **(L)**, see diagram below for reference.

Once both panels are secured, the unit should be freestanding. Ensure the assembly is stable before proceeding to the inner frame construction.

Note: We recommend having a second person assist by holding the panels in place to ensure the unit remains square while the first screws are driven.



## Step 3

### Installing the Internal Framework

Now that the structure is freestanding, you will install the internal dividers and floor supports. This framework creates the individual bays for your bins and reinforces the overall integrity of the unit.

#### Components Required:

Centre Top Supports (**F**), Centre Vertical Framing (**G**), Centre Floor Supports (**H**), Horizontal Floor Support – Front Frame (**I**)

#### Assembly Steps:

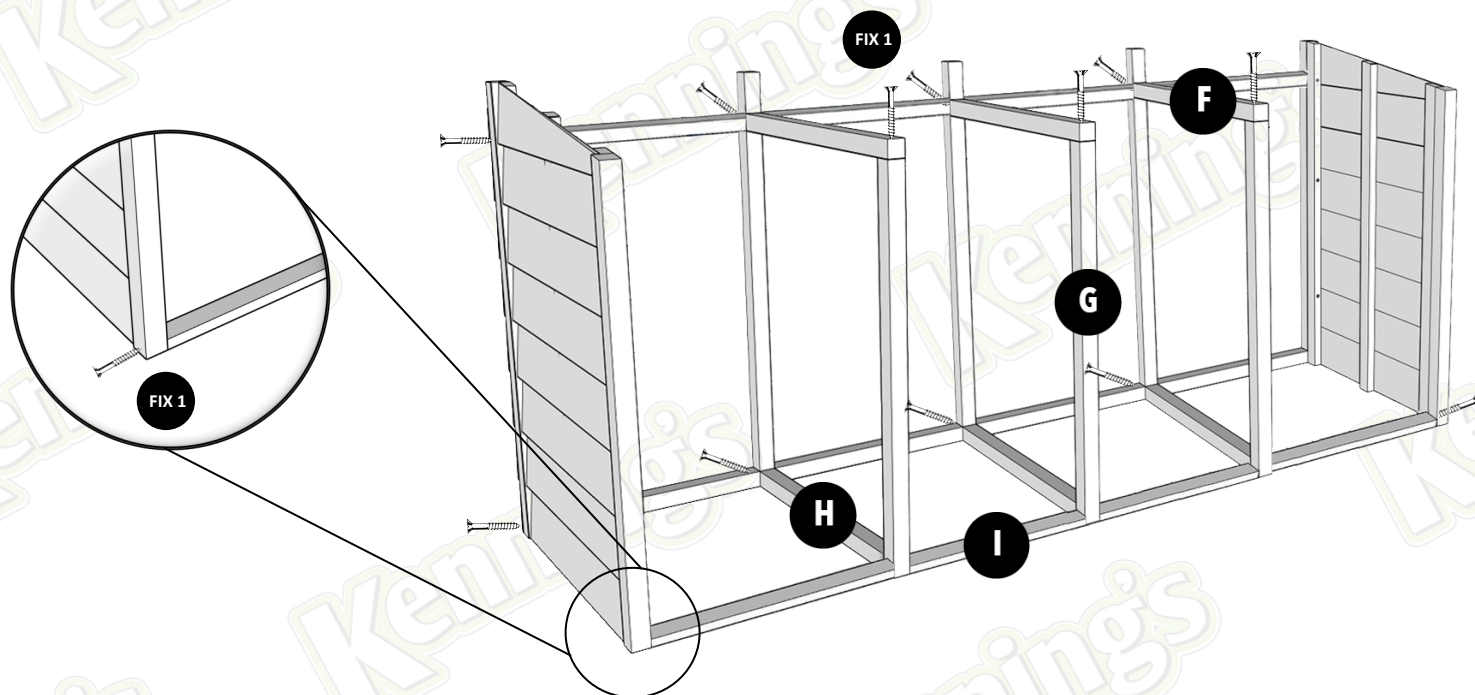
**Base Alignment:** Position the Horizontal Floor Support (**I**) across the front of the unit and the Centre Floor Supports (**H**) perpendicularly between the front and rear frames.

**Vertical Installation:** Align the Centre Vertical Framing (**G**) with the corresponding rear posts. These should stand vertically to divide the internal space into equal bays.

**Top Reinforcement:** Place the Centre Top Supports (**F**) across the top of each internal section, connecting the front vertical framing to the rear frame.

**Squaring the Unit:** Before final fixing, ensure all internal uprights are plumb (perfectly vertical) and that the bays are equal in width.

These connections are all made using 1 x 75mm Green Screws (**FIX 1**) at each contact point, examples shown below.



All images are for illustration only. Please see individual item listings for actual item specifications.

## Step 4

### Front Header Installation

The final stage of the framework assembly is the installation of the Horizontal Top Support (J). This single continuous rail spans the front of the unit, providing essential lateral strength and ensuring the structure remains rigid.

#### Components Required:

Horizontal Top Support – Front (J), 5 x 75mm Green Screws (FIX 1)

#### Assembly Steps:

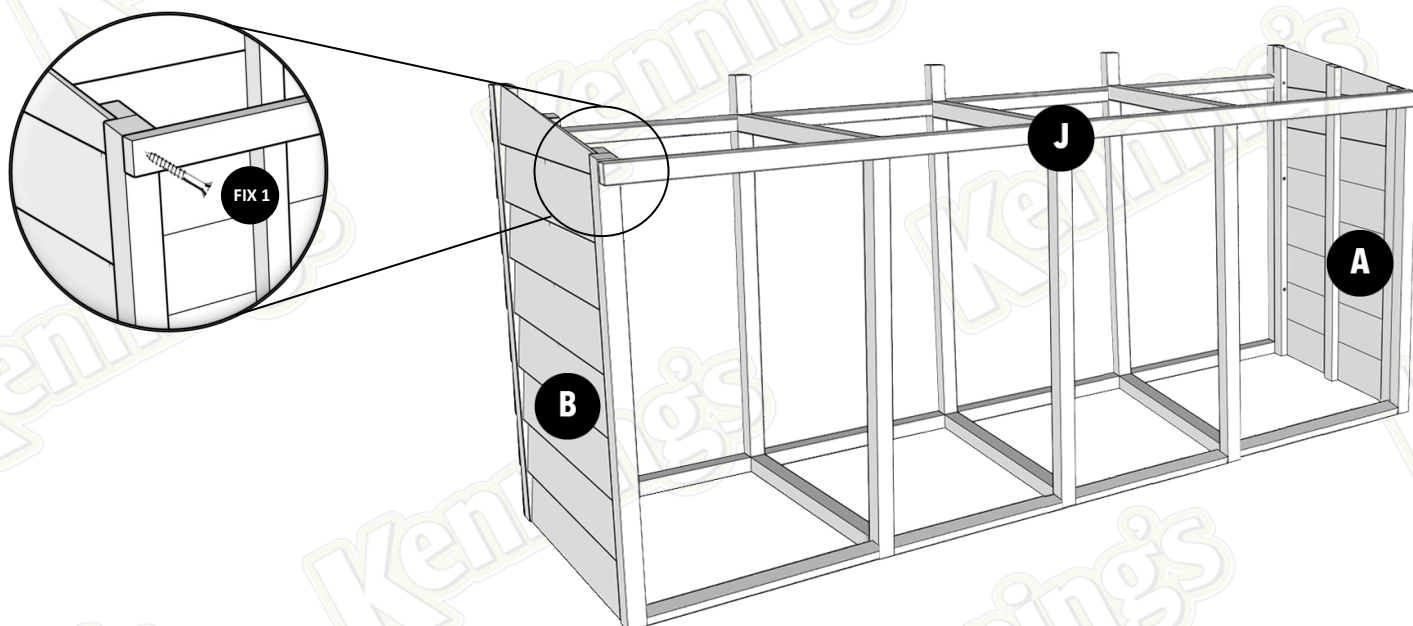
Position the Horizontal Top Support (J) across the top front edge of the unit, spanning from the Left Side Panel (B) to the Right Side Panel (A).

Align the top edge of the support rail so it is perfectly flush with the tops of the front uprights on both side panels.

**Note:** Ensuring this rail is level is vital for the proper operation of the bin store doors and the overall squareness of the unit.

Once aligned, screw through the support rail into each of the internal vertical posts and the side panel uprights using the 1 x 75mm Green Screw (FIX 1).

Final Inspection: Give the entire frame a "shake test" to ensure all fixings are tight. The structure should now be fully rigid and ready for door and lid attachment.



## Step 5

### Door Preparation and Hanging

In this step, you will prepare the four Bin Store Doors (**C**) by installing the hinges and mounting them to the main framework.

#### Components & Hardware Required:

4 x Bin Store Doors (**C**), 8 x Door Hinges (**Q**) (2 per door), Fixing Screws (Included in hinge packaging)

#### Assembly Steps:

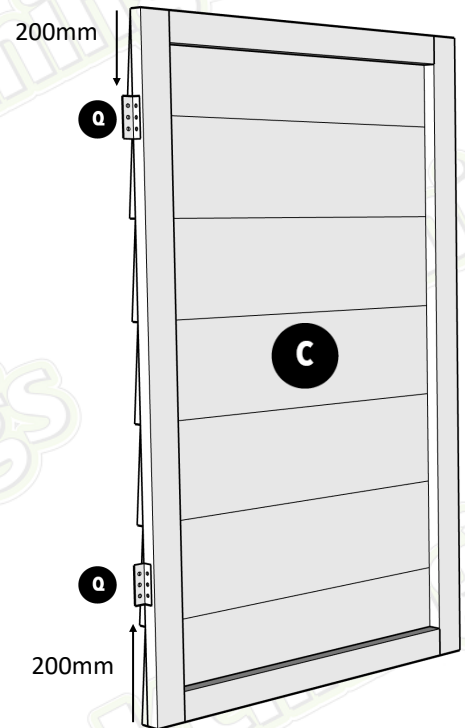
**Hinge Attachment:** On the rear side of each Bin Store Door (**C**), mark a point 200mm from the top and 200mm from the bottom. Align the hinges (**Q**) with these marks and secure them using the screws provided in the hinge packaging.

**Tip:** Ensure the barrel of the hinge sits slightly off the edge of the door to allow for a full range of motion.

**Positioning:** Offer the door up to the bay. Depending on the door's location, you will be securing it either to the Side Panel (**A/B**) or the Centre Vertical Framing (**G**).

**Hanging the Doors:** While maintaining a small, even gap at the bottom for clearance, secure the hinges to the inside face of the vertical uprights.

Repeat this process for the remaining three doors, ensuring that the top edges of all four doors align horizontally for a professional finish.



## Step 6

### Cabin Hook Installation

To ensure the doors remain securely closed and aligned, you will now install the Door Cabin Hooks (R). These should be fitted to each pair of doors as shown in the diagram.

#### Components Required:

2 x Pairs of Door Cabin Hooks (R), Fixing Screws (Included in cabin hook packaging)

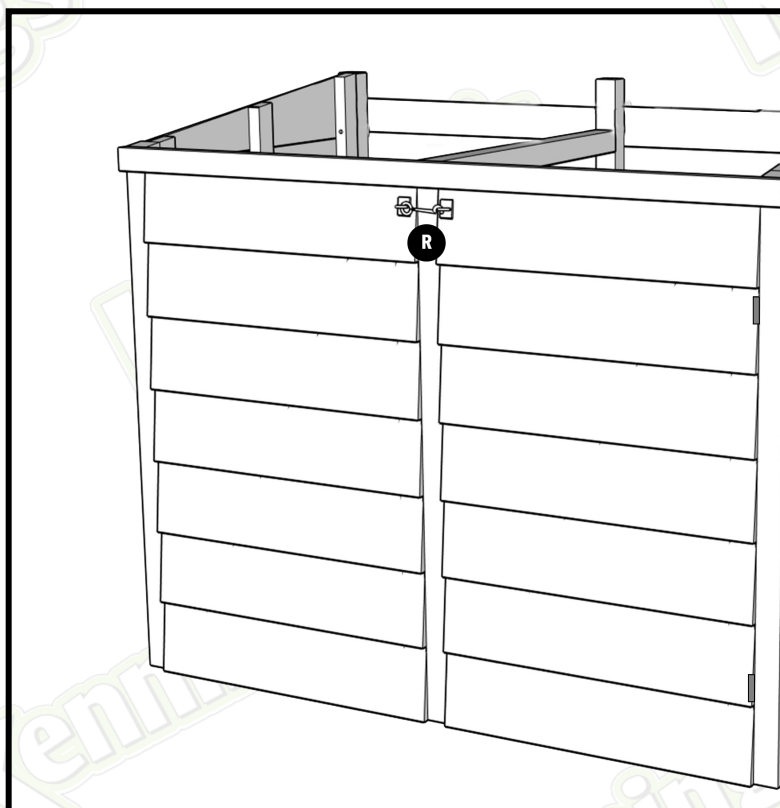
#### Assembly Steps:

On a pair of closed doors, mark a central point near the top meeting edge. Secure the hook element to one door and the eyelet (receiver) to the adjacent door.

**Note:** Ensure both parts are mounted perfectly level with one another. If the eyelet is too high or too low, the hook will not drop into place securely.

Test the hook to ensure it holds the doors flush against the frame.

Repeat this process for the second set of doors, see below image for reference.



All images are for illustration only. Please see individual item listings for actual item specifications.

## Step 7

### Lid Hardware Installation

Before mounting the lids to the frame, you must install the handles. This step utilizes a back-plate system to ensure a secure fix and a clean, professional finish on the underside of the lid.

#### Components Required:

2 x Outer Lids (**D**), 2 x Inner Lids (**E**), 4 x Lid Handles (**O**), 4 x Handle Back Plates (**P**)

#### Assembly Steps:

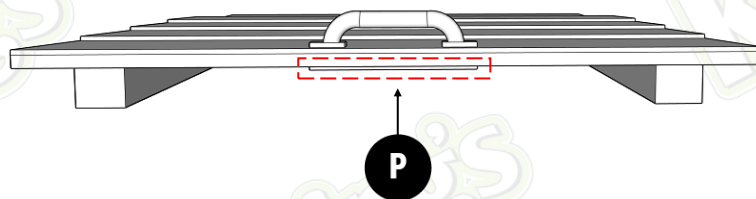
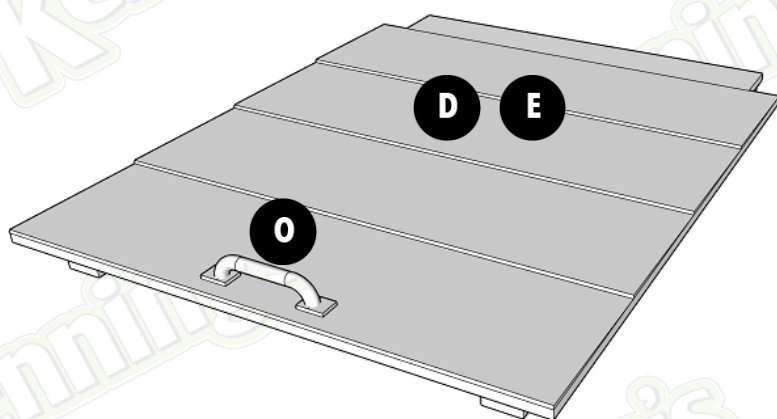
Identify the front edge of the Bin Store Lids (**D/E**). Position the Lid Handle (**O**) centrally on the top surface, near the front edge as illustrated in the diagram.

Place the Handle Back Plate (**P**) on the underside of the lid, directly beneath the handle.

**Note:** The back plate is designed to receive the screw points. This prevents the sharp ends of the hardware from protruding through the timber and provides a more durable grip.

Drive the supplied screws through the handle, through the lid timber, and into the back plate until tight.

Repeat this process for all four lids, ensuring consistent handle placement across the set for a uniform appearance.



## Step 8

### Hanging the Lids (Hinge Bolt Installation)

With the hardware installed, you will now hinge the Outer Lids (**D**) and Inner Lids (**E**) to the rear frame. This step completes the primary structure of your bin store.

#### Components Required:

Assembled Outer and Inner Lids (**D & E**), 2 x Carriage Bolts (M8 x 130mm) (**FIX 3**), 3 x Carriage Bolts (M8 x 200mm) (**FIX 4**)

#### Assembly Steps:

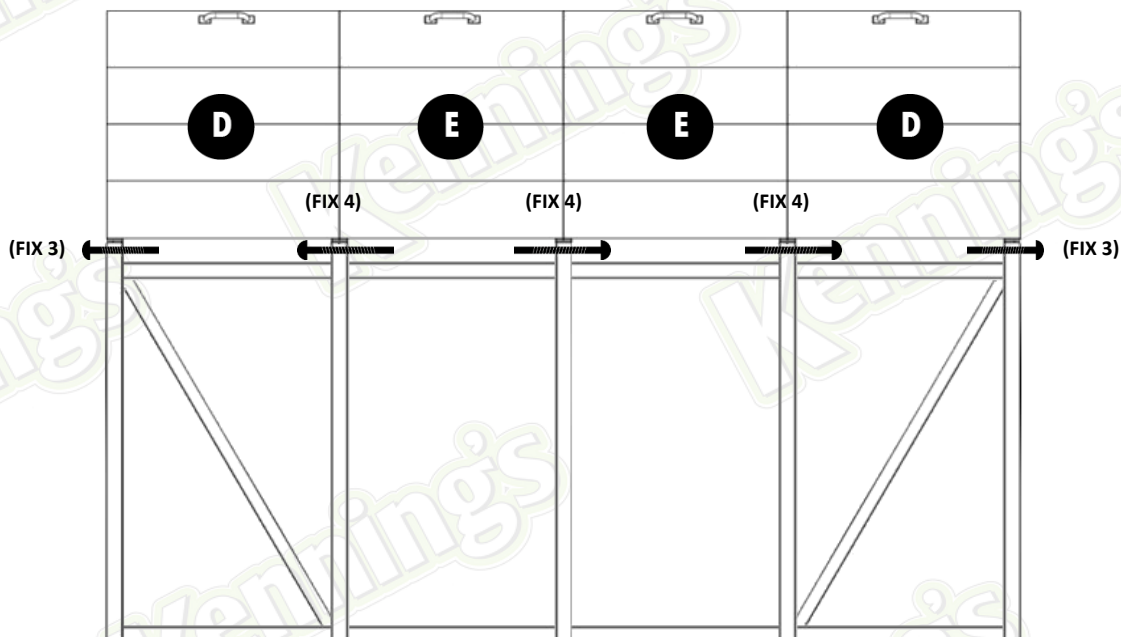
**Lid Positioning:** Lift the Bin Store Lids (**D/E**) into place between the uprights. Align the pre-drilled holes in the rear of the lid frames with the holes in the Vertical Rear Frame Posts (**L**).

**Installing the Outer Hinges:** On the far-left and far-right sides of the unit, insert the shorter M8 x 130mm Carriage Bolts (**FIX 3**) through the post and the lid frame.

**Installing the Internal Hinges:** For the three centre posts, use the longer M8 x 200mm Carriage Bolts (**FIX 4**).

**Note:** These longer bolts are designed to pass through the centre post and act as a shared hinge for two adjacent lids. Ensure both lids are aligned before sliding the bolt through.

**Final Fastening:** Tighten the nuts until secure, but do not over-tighten—the lids must be able to pivot smoothly without resistance.



All images are for illustration only. Please see individual item listings for actual item specifications.

## Step 9

### Installing Lid Props

The final step is to install the Lid Props - V Cut (**N**). These supports allow you to prop the lids open safely for hands-free access to your bins.

#### Components Required:

4 x Lid Props - V Cut (**N**)

4 x Carriage Bolts (M8 x 100mm) (**FIX 2**)

#### Assembly Steps:

Locate the pre-drilled holes on the internal side of each Lid Frame.

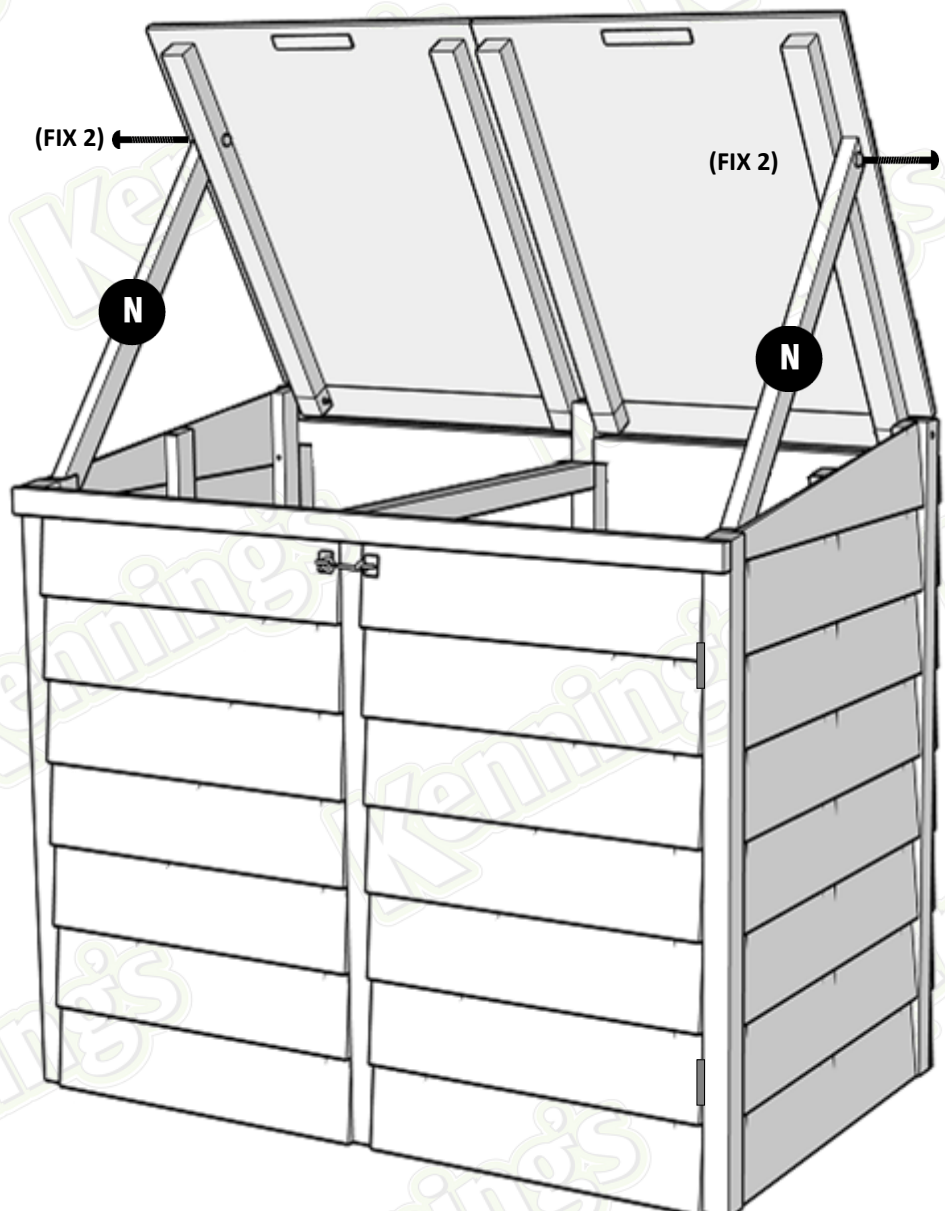
Insert the M8 x 100mm Carriage Bolt (**FIX 2**) through the lid frame and then through the pre-drilled hole at the top of the Lid Prop (**N**).

**IMPORTANT:** Tighten the nut until it is secure, but do not over-tighten. The prop must be able to swing freely under its own weight so that it can be easily deployed or tucked away.

Final Test: Lift each lid and engage the prop to ensure the "V Cut" sits securely against the frame support.

Repeat the process on all four lids.

\*Image for illustration purposes only





**Enjoy your new Quad Bin Store!**

All images are for illustration only. Please see individual item listings for actual item specifications.